

Pareto

Aluminum Systems



ALFOTM

Aluminum Flooring System

www.paretoas.com

Installation Guide for Sege Seat with Quick Release

STEP 1:

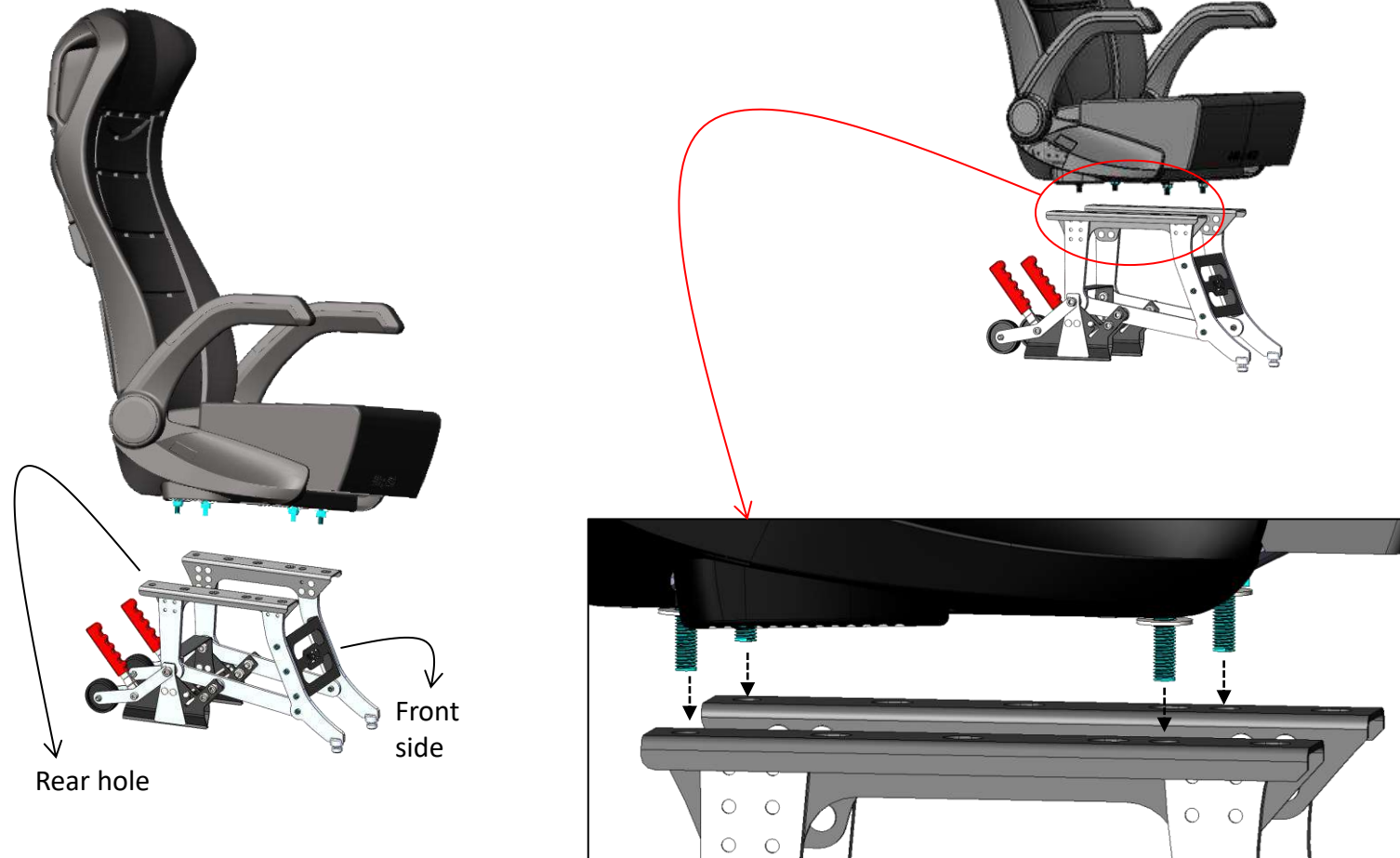
Uninstall the factory legs by uninstalling the nut from LH and RH side of legs and discard the legs

Fully Assembled Sege Seat With Factory Legs

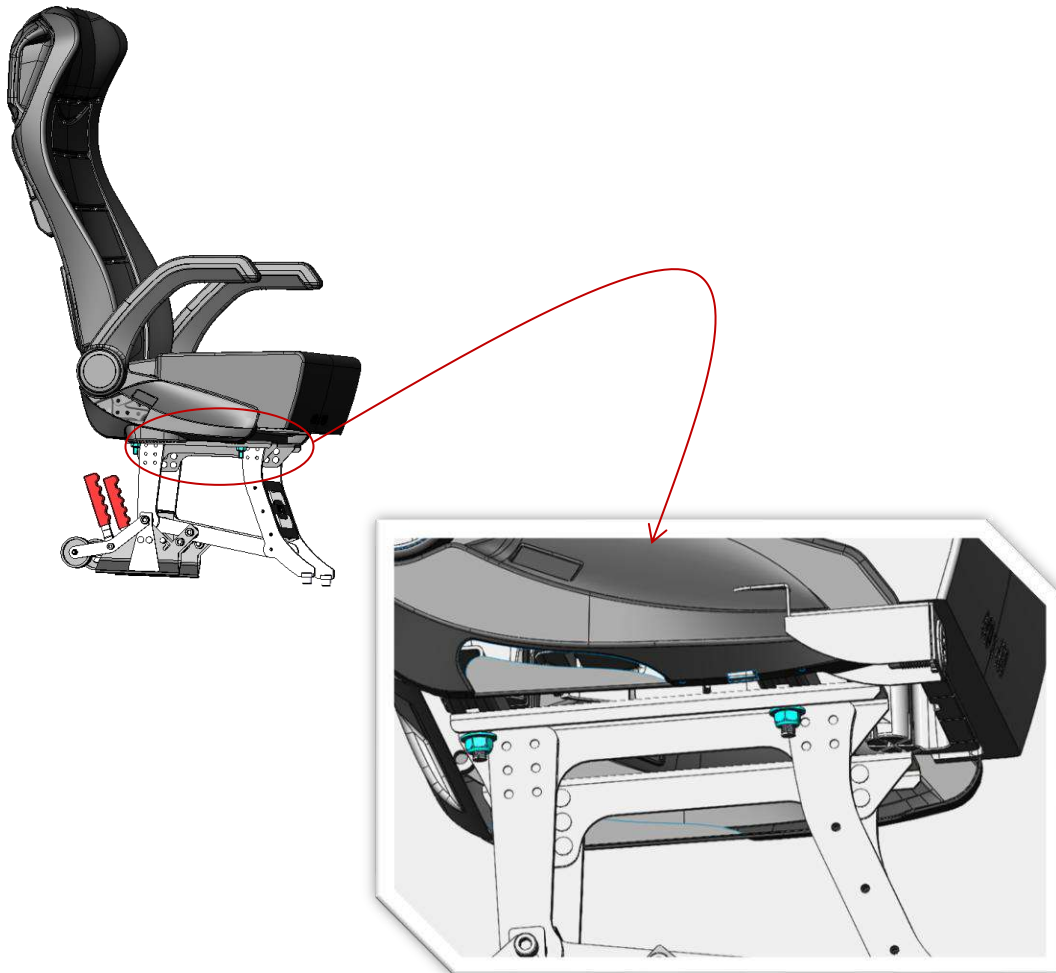


STEP 2:

- Assemble the seat with the QR Legs from the reference of rear side bolts with the rear hole of the QR Leg.

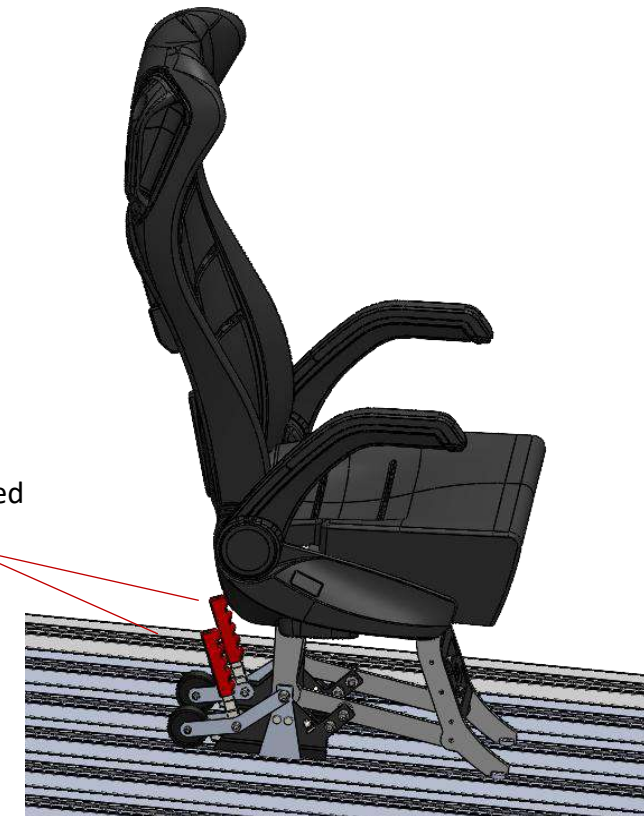


STEP 3 : Tighten all the washer & Nut with the QR Leg at the required positions in both LH & RH side.



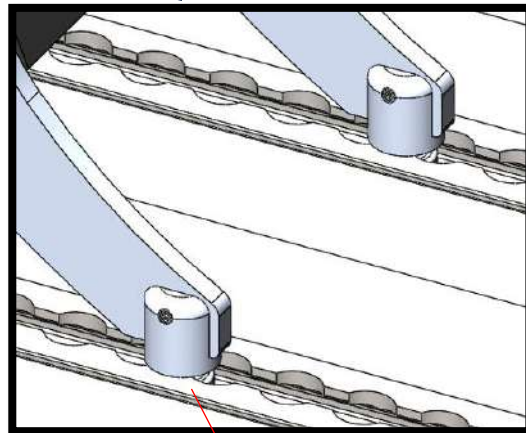
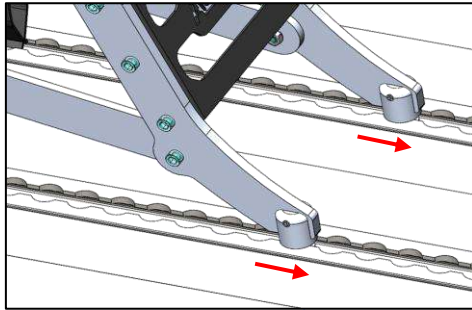
STEP 4 : Completely Fix the seat assembly in the aligned floor panel, push it forward until it stops moving in the track and Lock it by using both locking handles

Locking Handles in unlocked condition



Push the QR leg in forward direction **until it stops moving** in the track and lock it by using the locking handles.

A)



QR leg is locked with the track panels

B)

At fully locked condition, the both locking handles are in **vertical in direction** as shown.

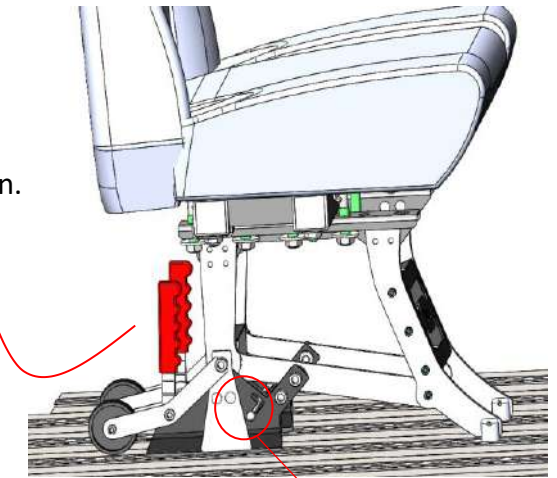
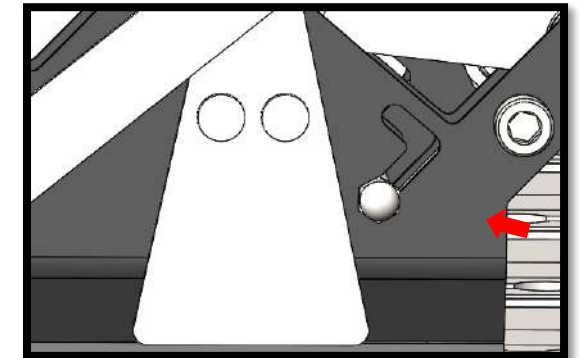


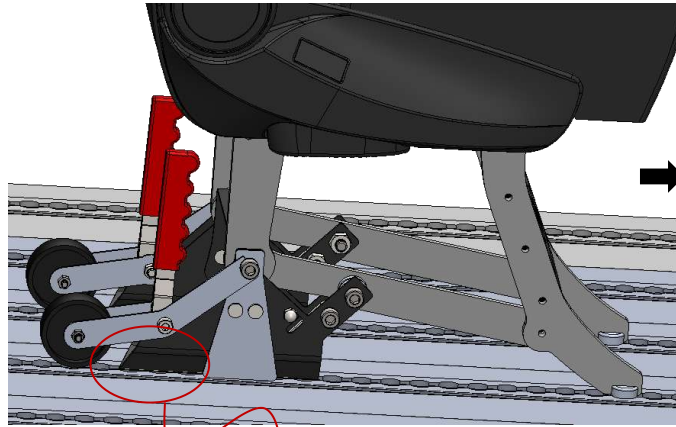
IMAGE 1:1



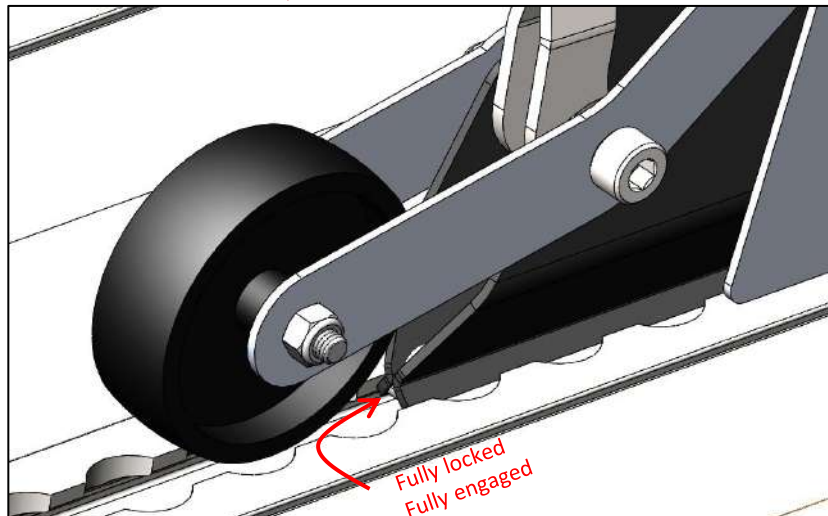
The lock/ unlock pin is **resting downward** in fully locked condition.

❖ **Ensure**

- The locking handles are fully locked as shown in the **image 1:1**
- The QR leg rear tongue is fully inserted inside the floor panel after locking as shown in **image 1: 2 (slide 5)**
- Lock/unlock pin is resting downwards as shown in **image 1:1**



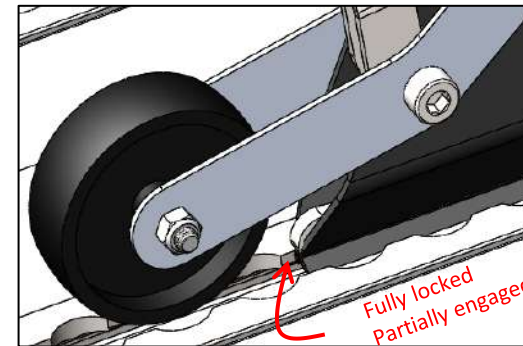
Fully assembled seat
with the floor in locked
condition



Ensure the tongue is
fully locked inside the
floor panel

Image 1:2

❖ If the tongue is not fully inserted as shown
in image 1:3. then, unlock the both locking
handles and try locking again until it is fully
locked and engaged as shown in image 1:2



Tongue is not fully
inserted.

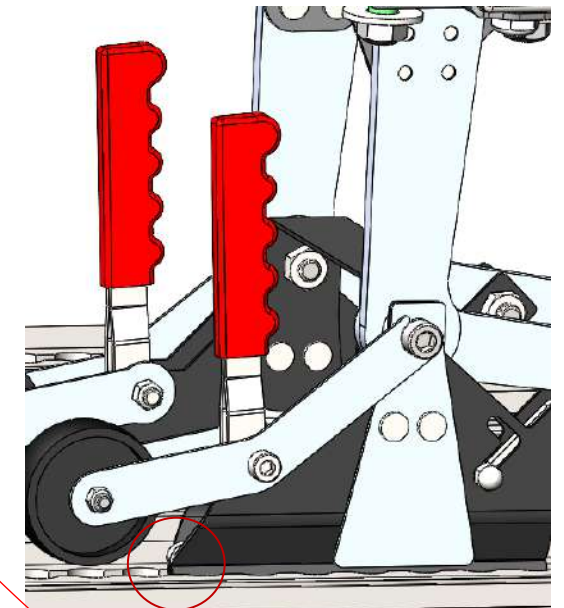


Image 1:3