

Pareto

Aluminum Systems



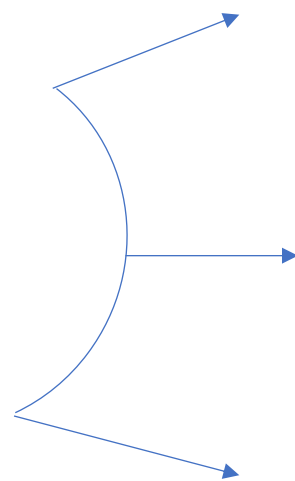
ALFOTM

Aluminum Flooring System

www.paretoas.com

Installation Guide for Sege Double Seat

Fully Assembled Sege Seat With Factory Legs



TOOLS USED:

1. M10 Socket



2. Ratchet Wrench



STEP 1:
install the factory legs with the Sege
double seat (Cushion + Backrest)



a) Insert T bolts in the
bottom seat track from
the LH side of the seat
as shown in fig.1.

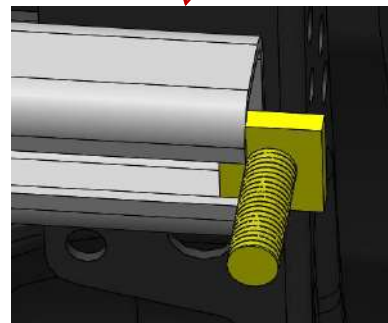
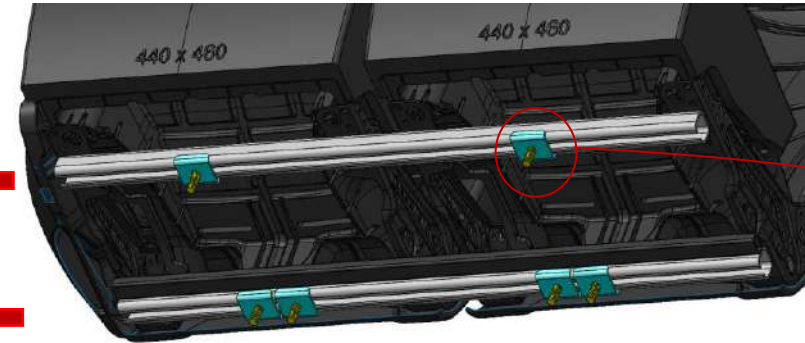


Fig. 1

2 T- bolts in front ←

3 T- bolts in Rear ←



b) Insert the U bracket in the
T bolt and align the T bolt at
the required position

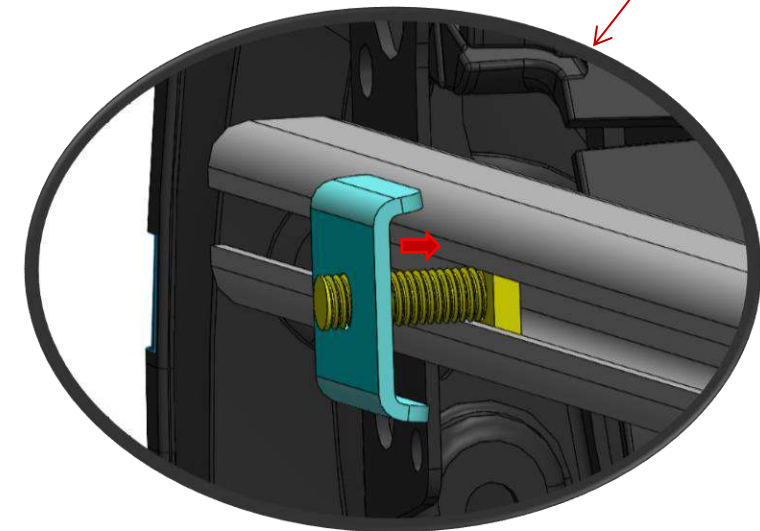


Fig. 2

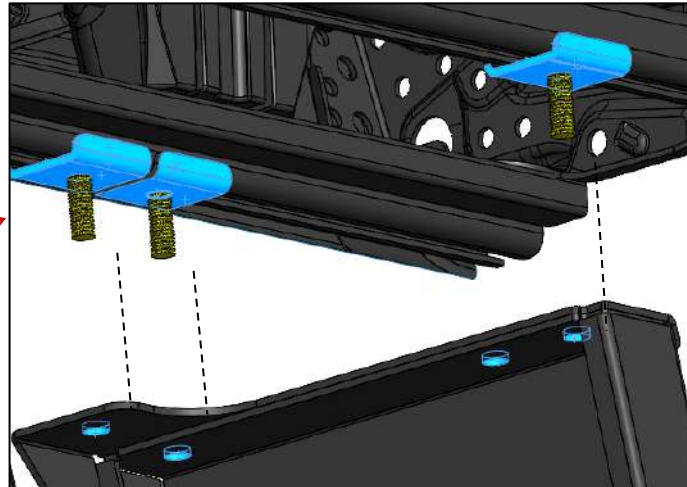
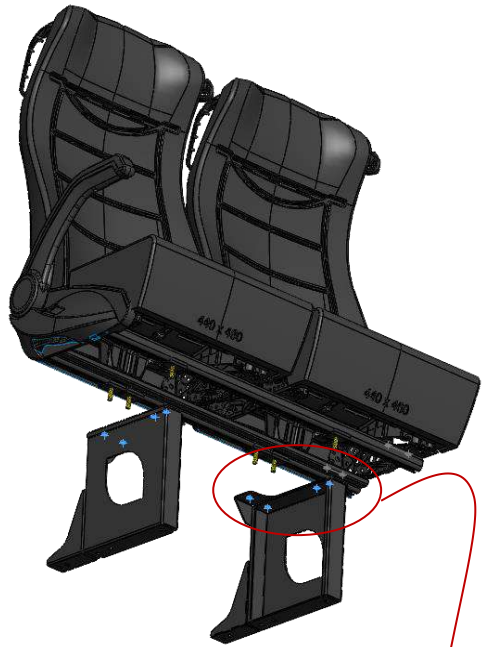
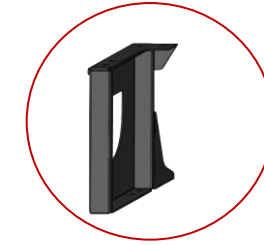


Fig. 3

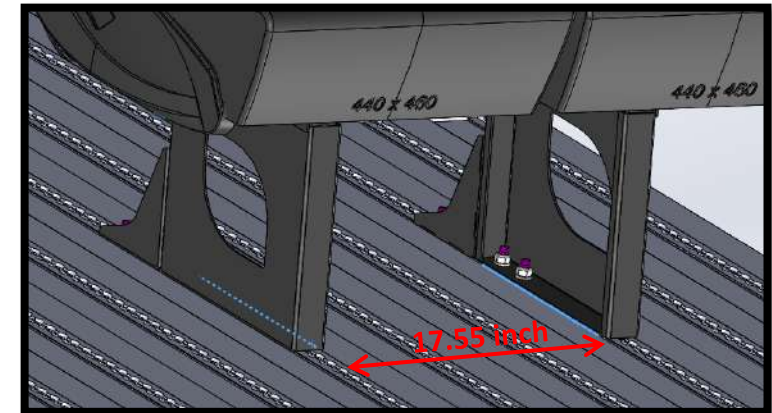
c) Attach the double seat to the seat legs using T-bolts. Secure each connection with an M10 washer and Nyloc nut, and tighten firmly.

RH side Seat Leg

LH side Seat Leg



Seat legs

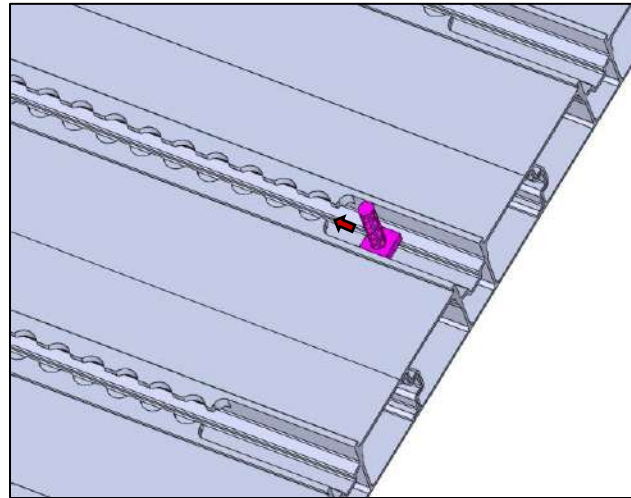


d) Ensure the leg to leg pitch distance is 17.55 inch.

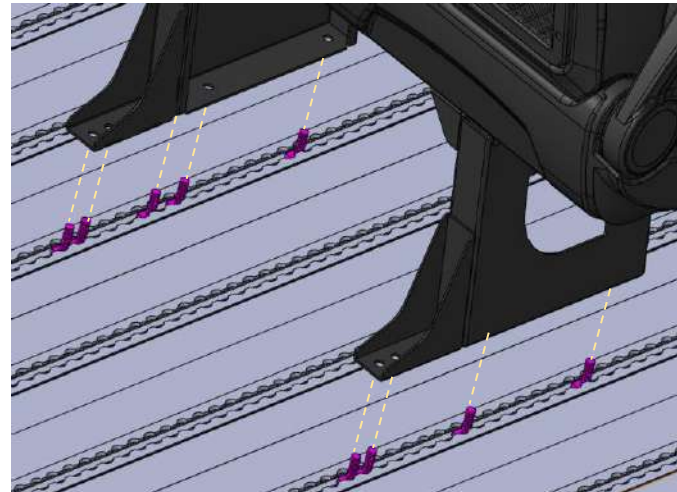
STEP 2:

Fix the assembled Sege seat in the floor

a) Insert the T-bolt into the floor panel through the manual foot slot and move it to the required position..



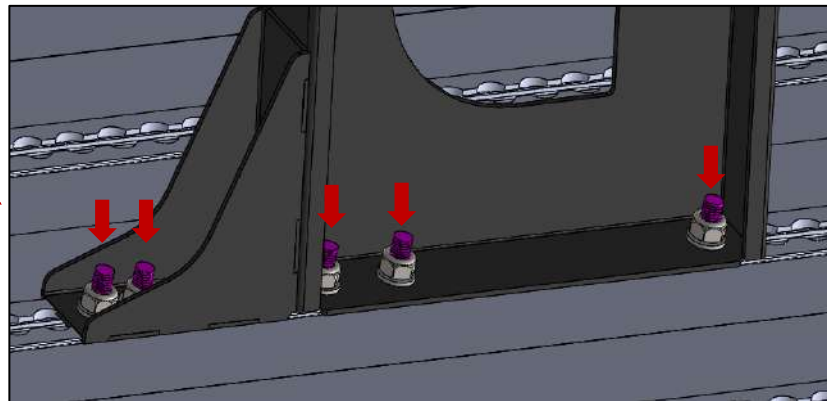
b) Align the T bolt and fix the seat legs with the floor using an M10 Nyloc nut with washer as shown in the fig. 4 (slide 6)



Total 6 nos M10 bolts, washer & Nyloc nut are used to fix each seat leg with the floor.



Fig. 4



Assembled double seat with the floor.

