

# Pareto

Aluminum Systems



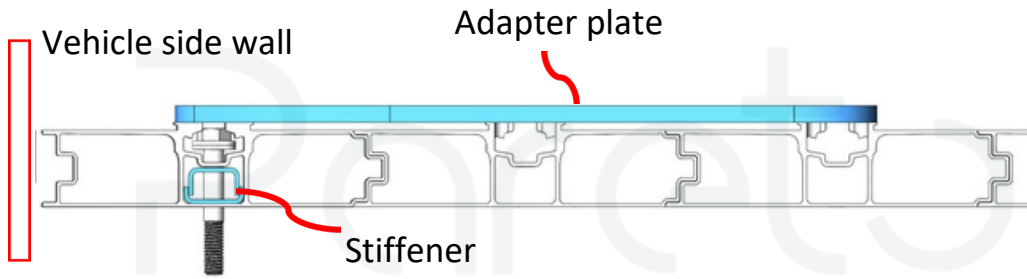
# ALFO<sup>TM</sup>

**Aluminum Flooring System**

[www.paretoas.com](http://www.paretoas.com)

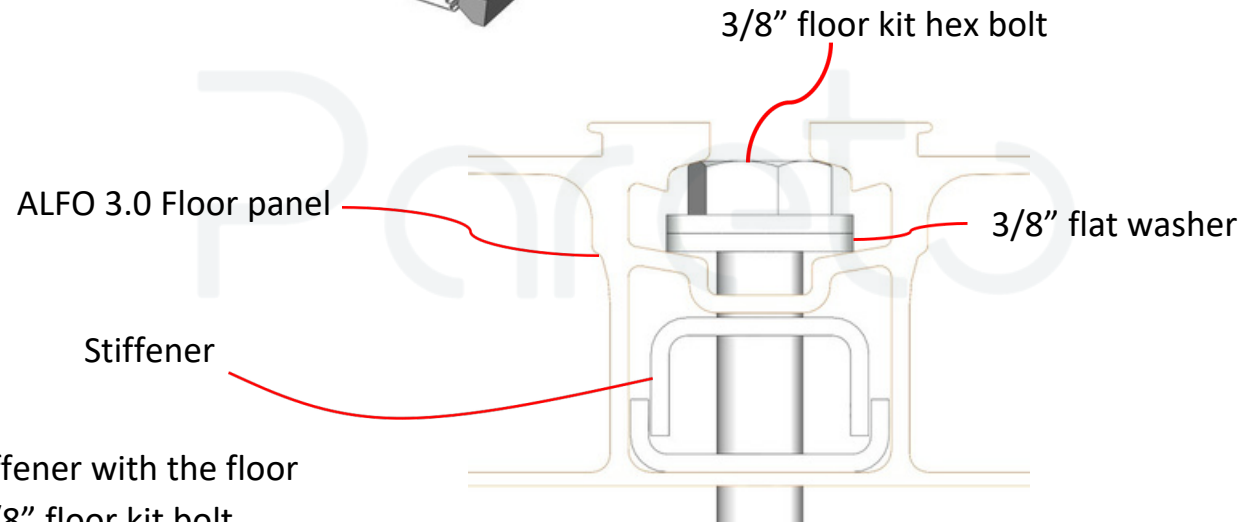
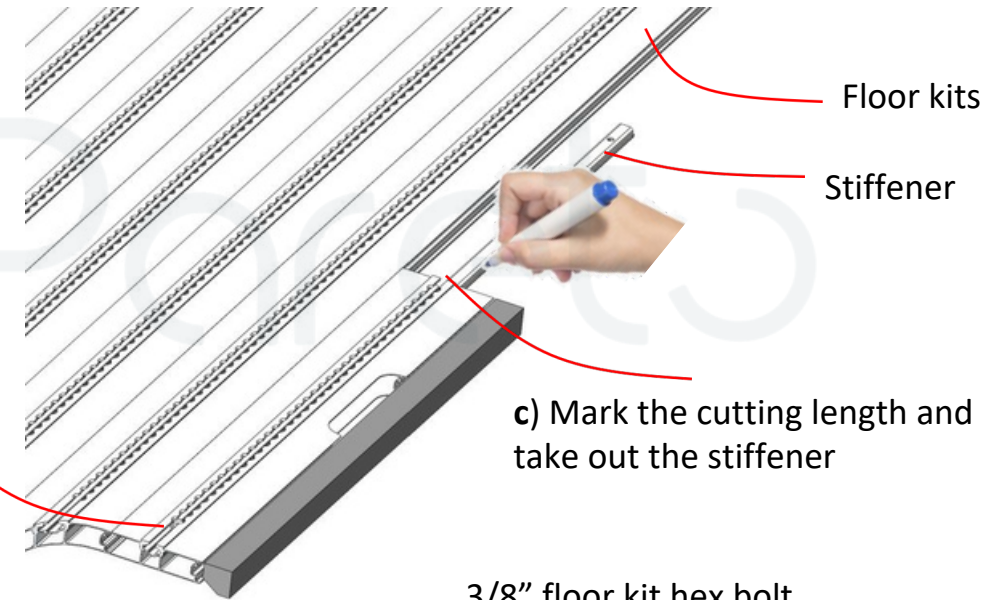
Freedman Foldaway Seat Adapter  
Plate installation\_ALFO 3.0

### Step 1. Add stiffener to floor panel - ALFO 3.0 and attach with 3/8" kit bolt

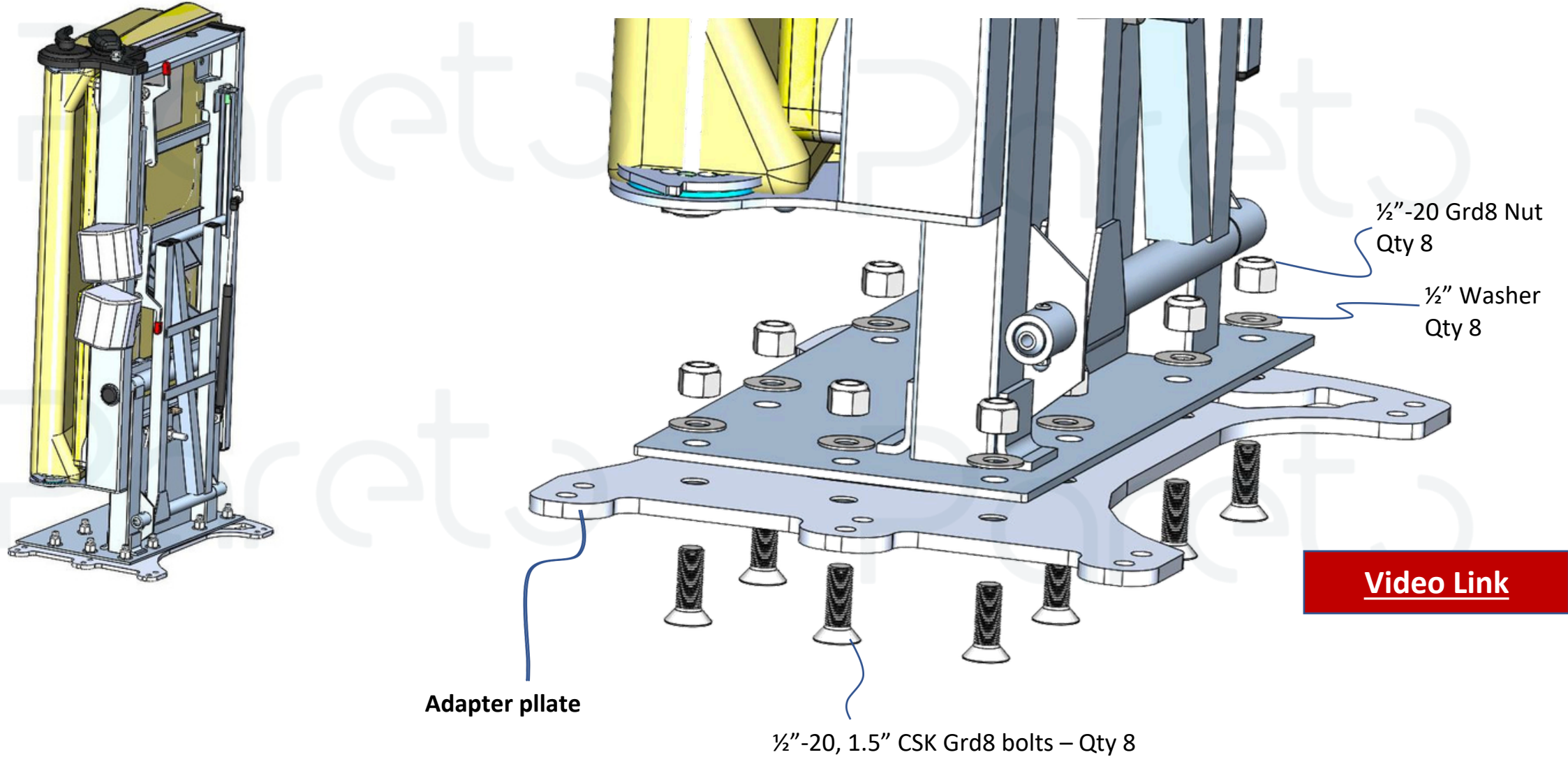


a) Add stiffener to the extreme end of the panel (towards side wall)

b) Align the pre-drilled hole provided on floor with stiffener



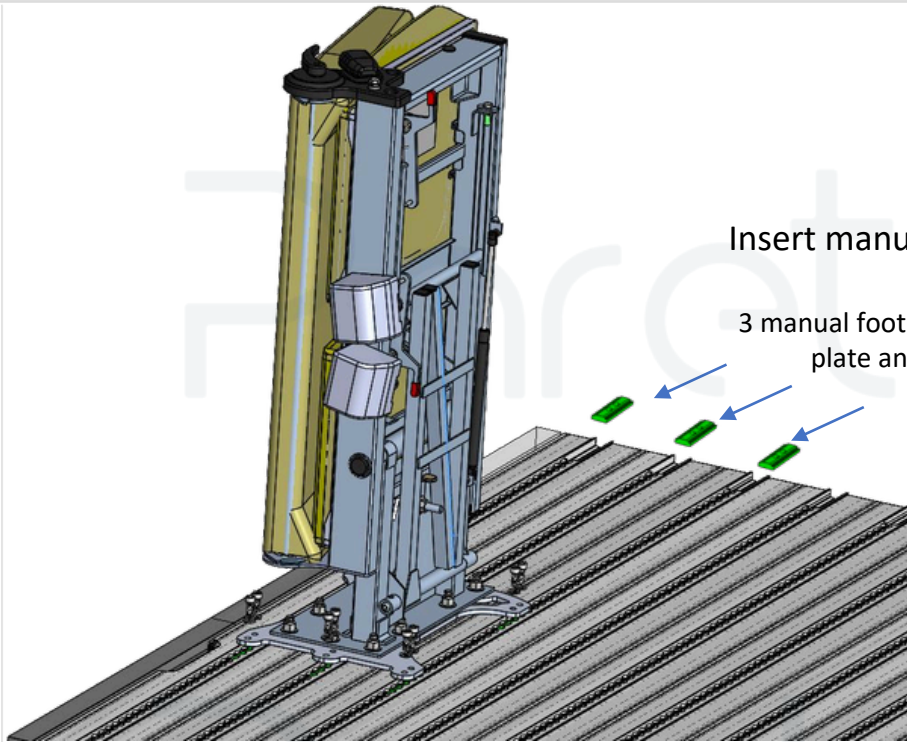
## Step 2. Assemble the adaptor plate to the foldaway seat



## Assemble the seat on the floor using manual foot & Bolts

Insert manual foot from the front of the floor.

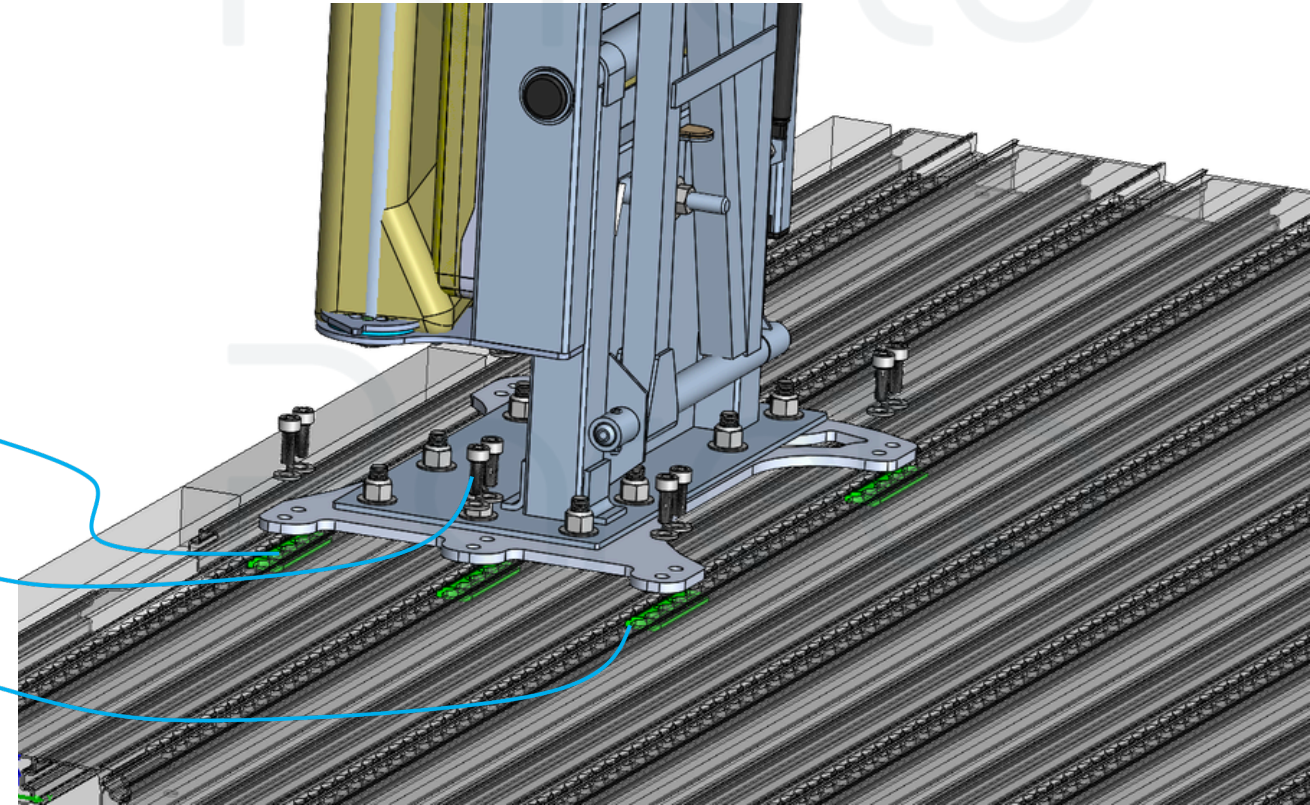
3 manual foot go that the rear end of the adaptor plate and 2 manual foot for the front



Locate the manual foot forward and backward of the vehicle to define the location of the foldaway seat long the length of the vehicle

Use 10 qty of M10-1.5,25mm/C12.9 bolts with lock washers to fasten the adaptor plate to manual foot in the floor

Manual foot  
Qty-05



For any Query Contact Pareto's Technical Support Team

Email : [info@paretoas.com](mailto:info@paretoas.com)

Contact : (978)-427-7763

[www.paretoas.com](http://www.paretoas.com)



## Follow Us

