

Pareto

Aluminum Systems

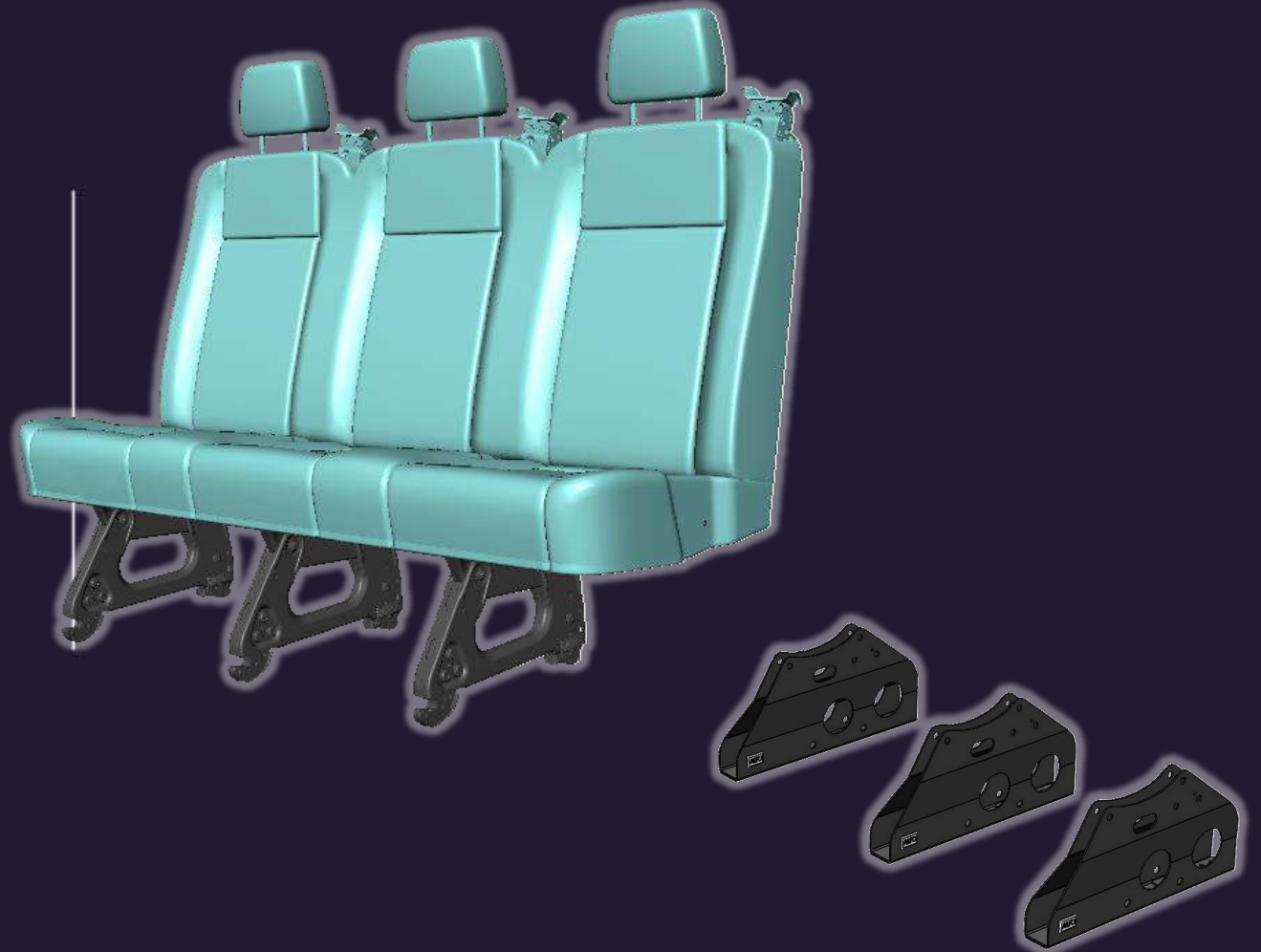


Ford Triple Seat Installation on ALFO Floor

ALFOTM

Aluminum Flooring System

www.paretoas.com



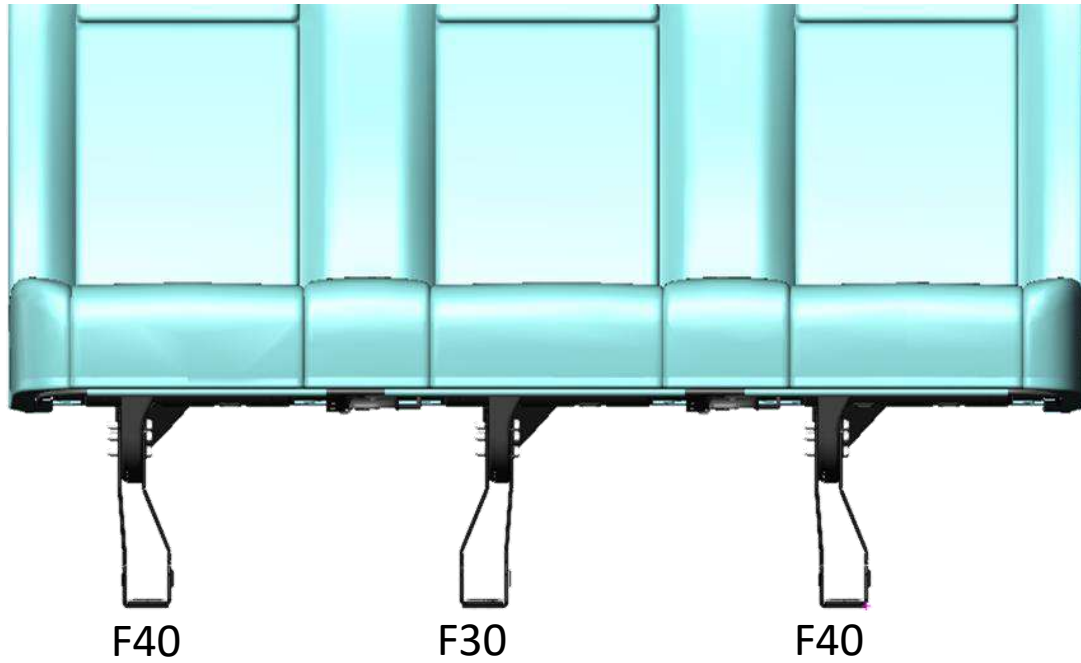
METHOD 1

FOR NARROW FORD TRIPLE SEAT



Ford Triple Seat: OEM Seat Leg Installation

Step 1: Uninstall the Factory legs and discard them.



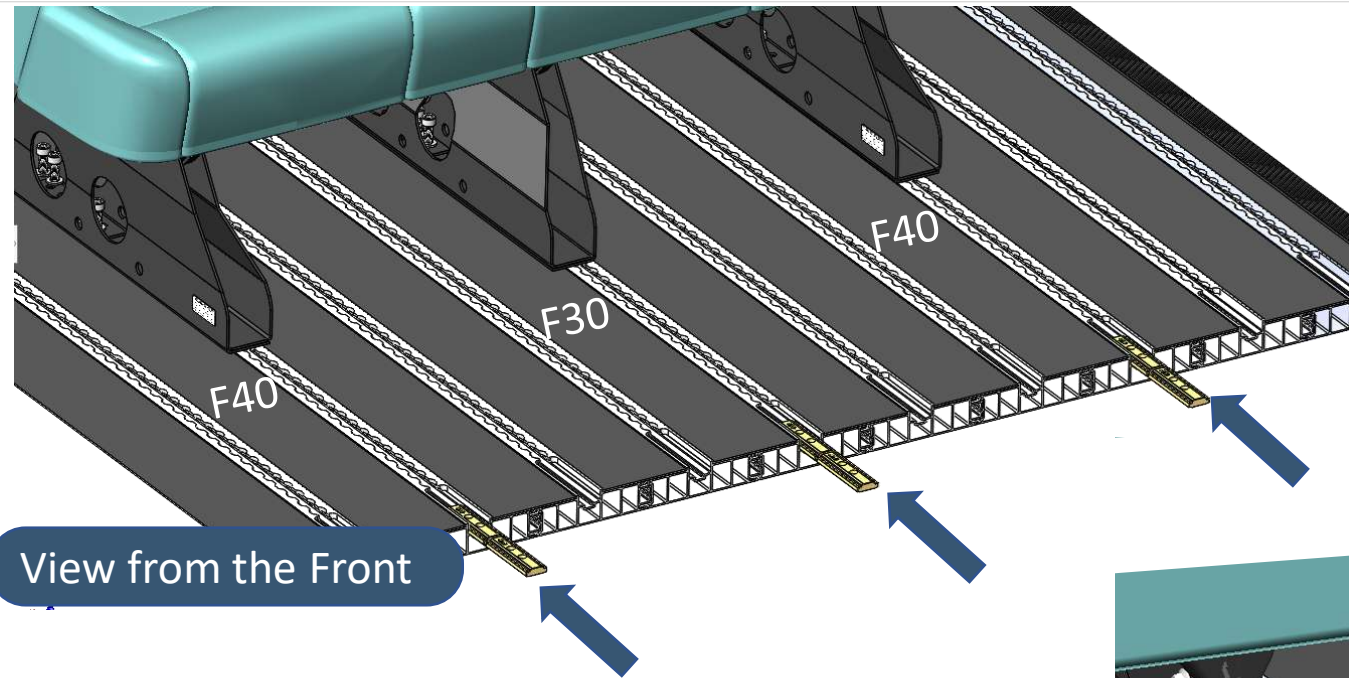
View from the Front

Step 2: install the OEM Seat Legs



M12-1.75, 65mm, C 10.9
Zinc plated bolts
Qty 9
Torque Required: 55Nm

M12-1.75
nut Qty 9

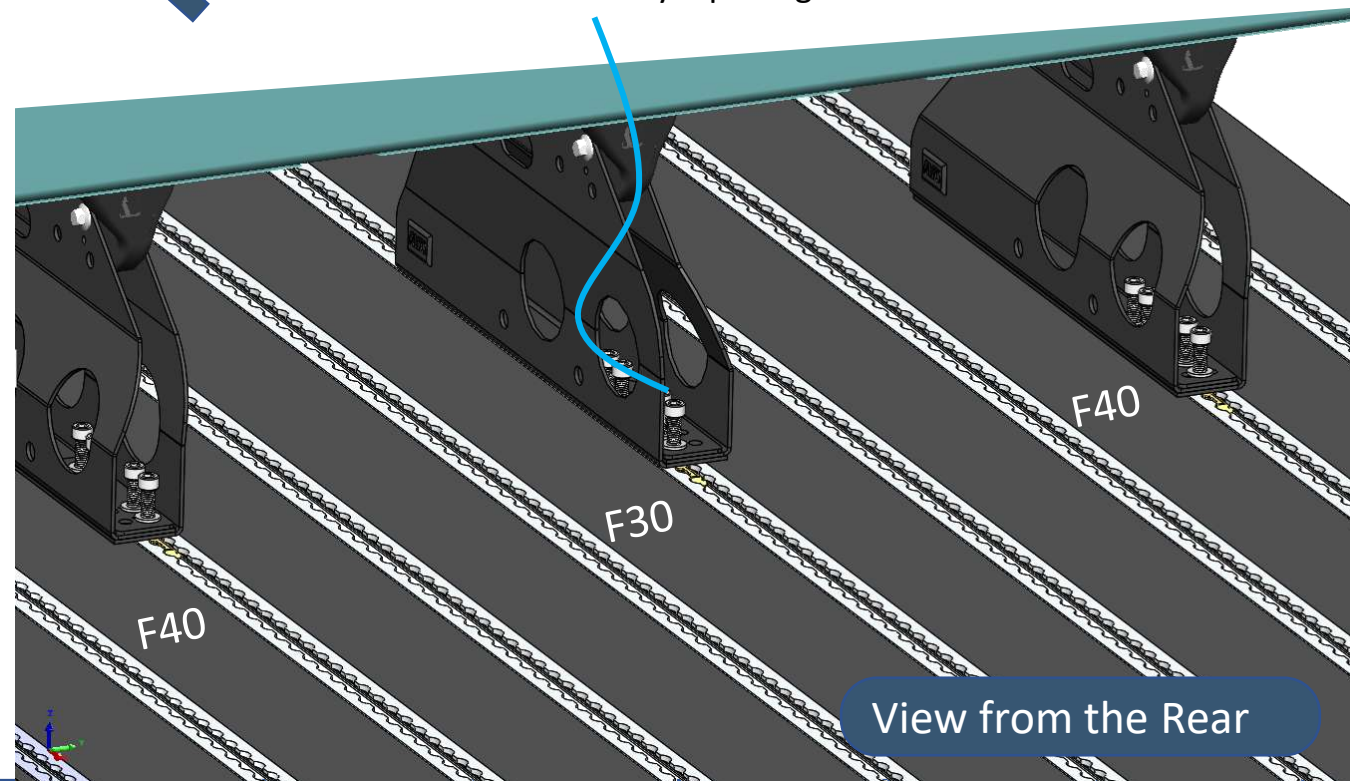


Step 3: Insert the manual foot and move them to the desired location of seat installation

M10-1.5,25mm C12.9 Zinc
M10 Flat washer
Qty 4 per leg

**Torque
55Nm**

Step 4: Attach the 4 Qty bolts with Washer per leg to the manual feet



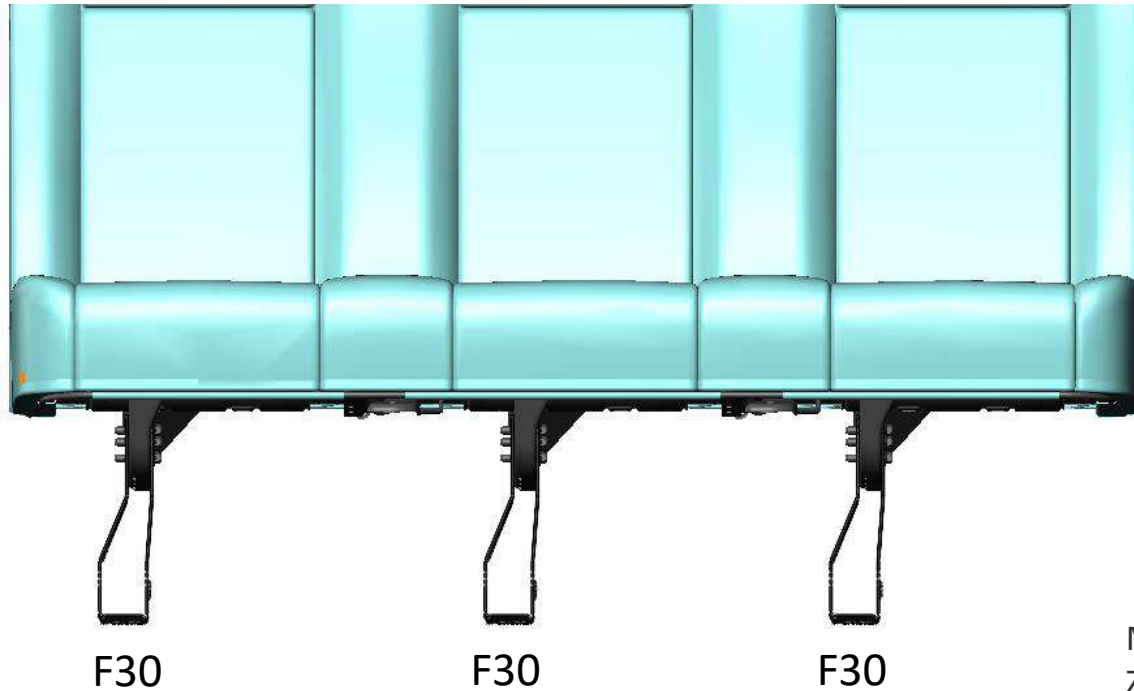
METHOD 2

FOR NARROW FORD TRIPLE SEAT

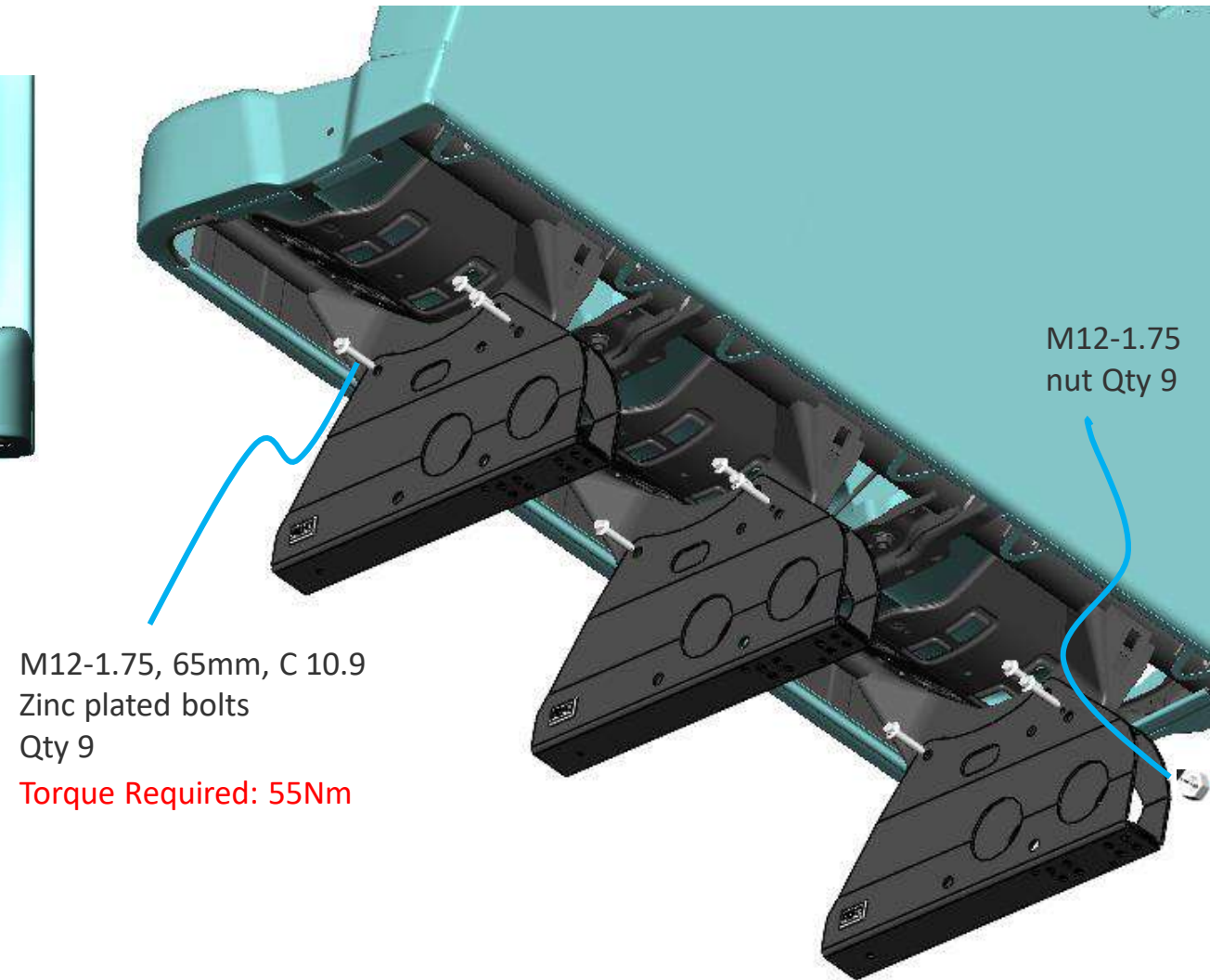


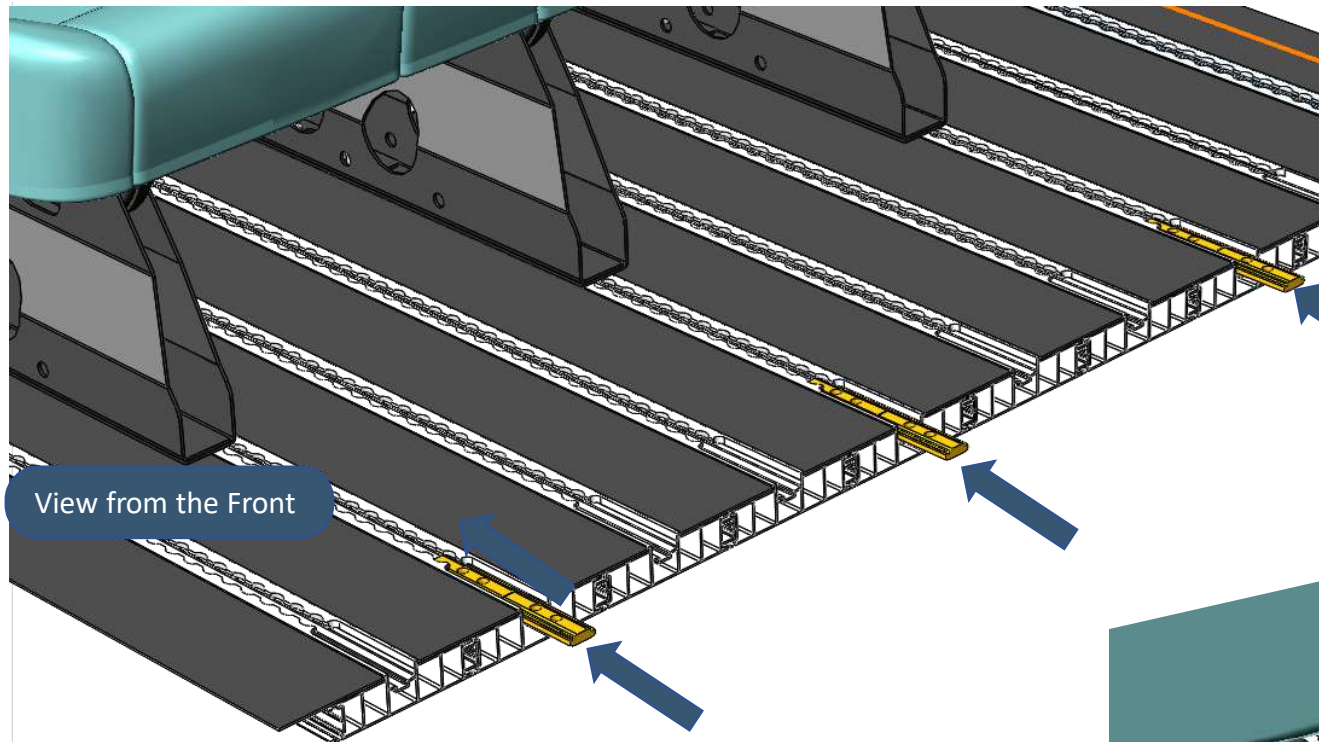
Ford Triple Seat: OEM Seat Leg Installation

Step1: Uninstall the Factory legs and discard them.



Step 2: install the OEM Seat Legs

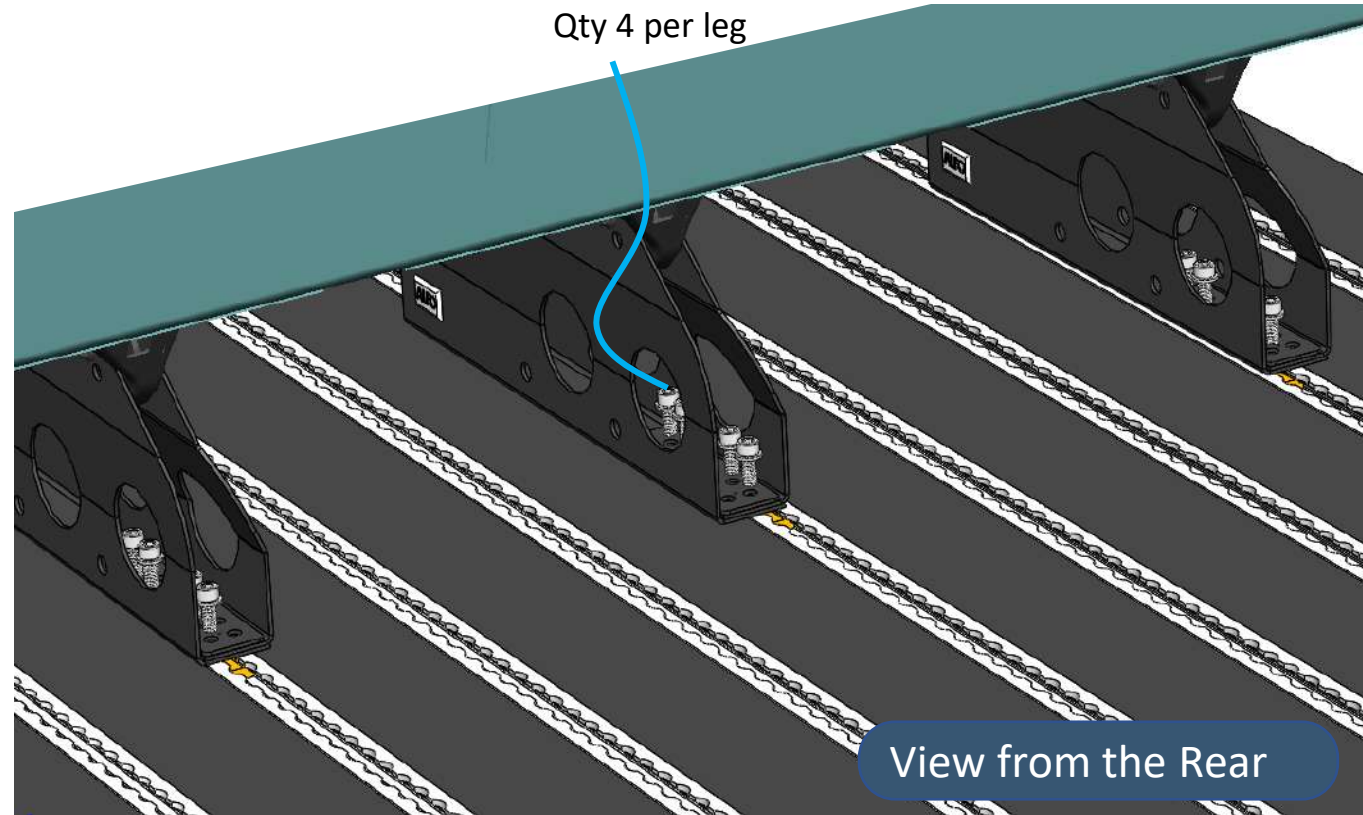




Step 3: Insert the manual foot and move them to the desired location of seat installation

M10-1.5,25mm C12.9 Zinc
M10 Flat washer
Qty 4 per leg

**Torque
55Nm**



Step 4: Attach the 4 Qty bolts with Washer per leg to the manual feet