

Pareto

Aluminum Systems



Ford Single Seat Installation on ALFO Floor

ALFOTM

Aluminum Flooring System

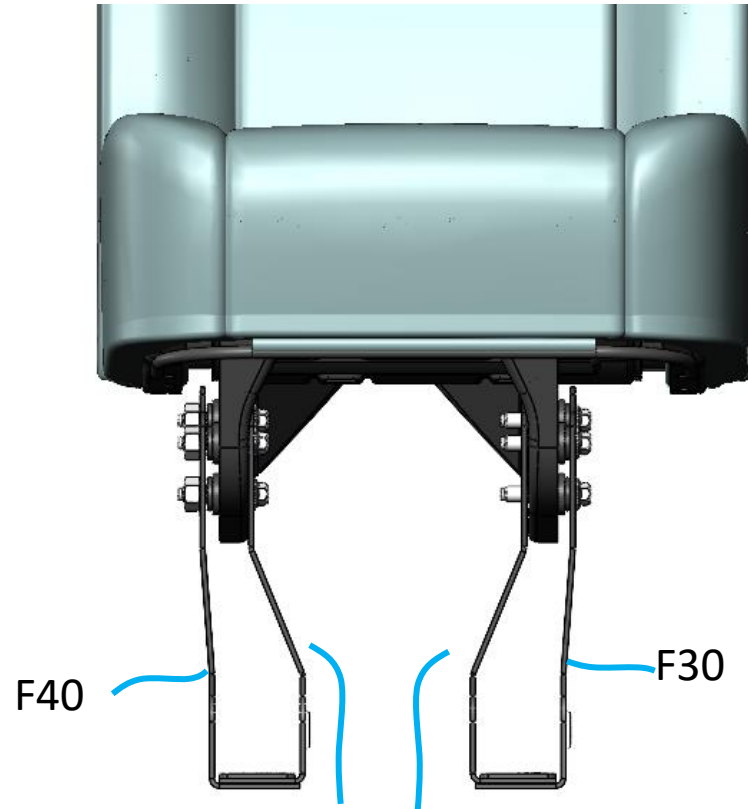
www.paretoas.com



Ford Single Seat: OEM Seat Leg Installation

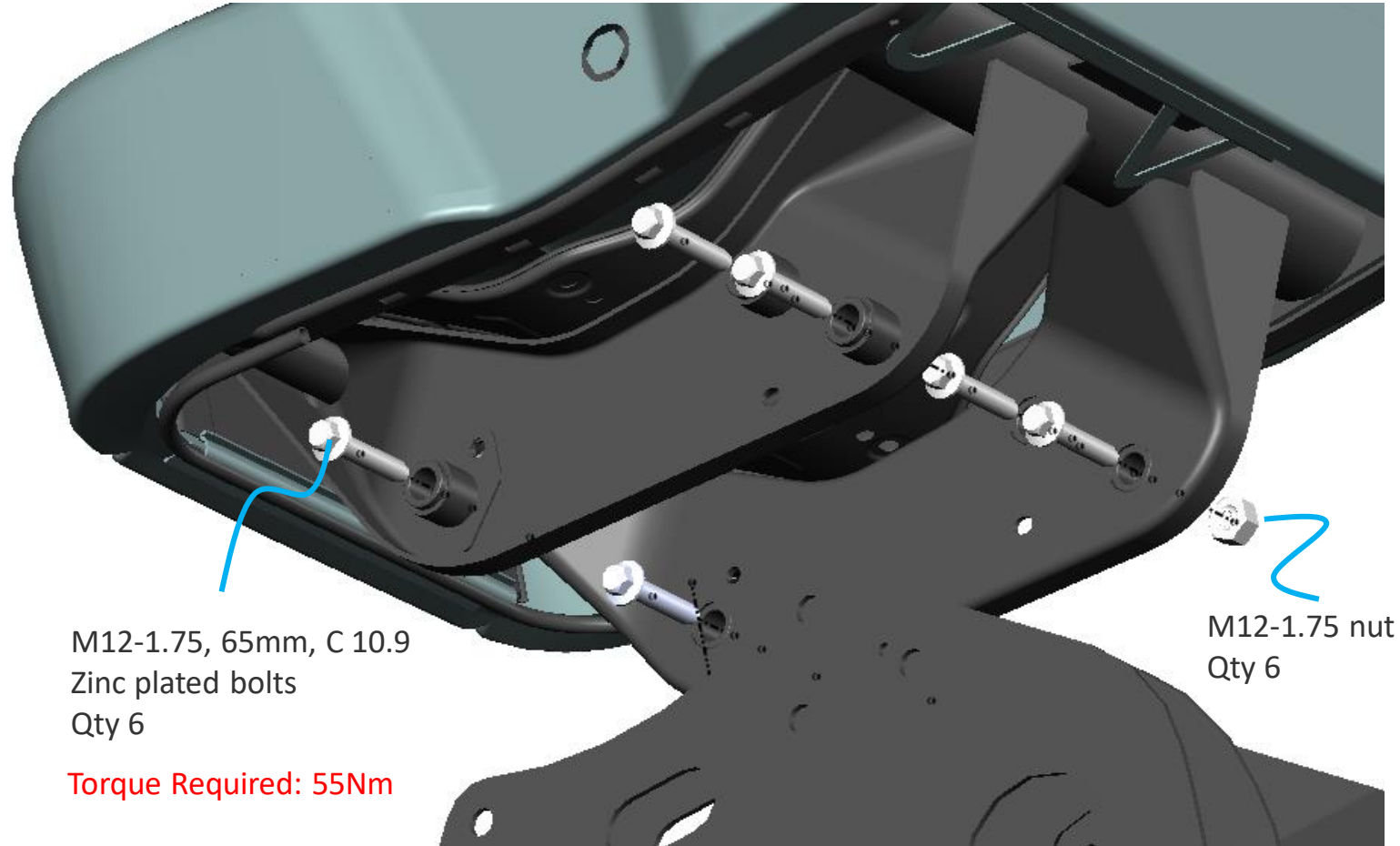
Step 1: Uninstall the Factory legs and discard them.

Step 2: Install the OEM Seat Legs



The legs should be attached in such a way that the leg protrude towards inside

View from the Front

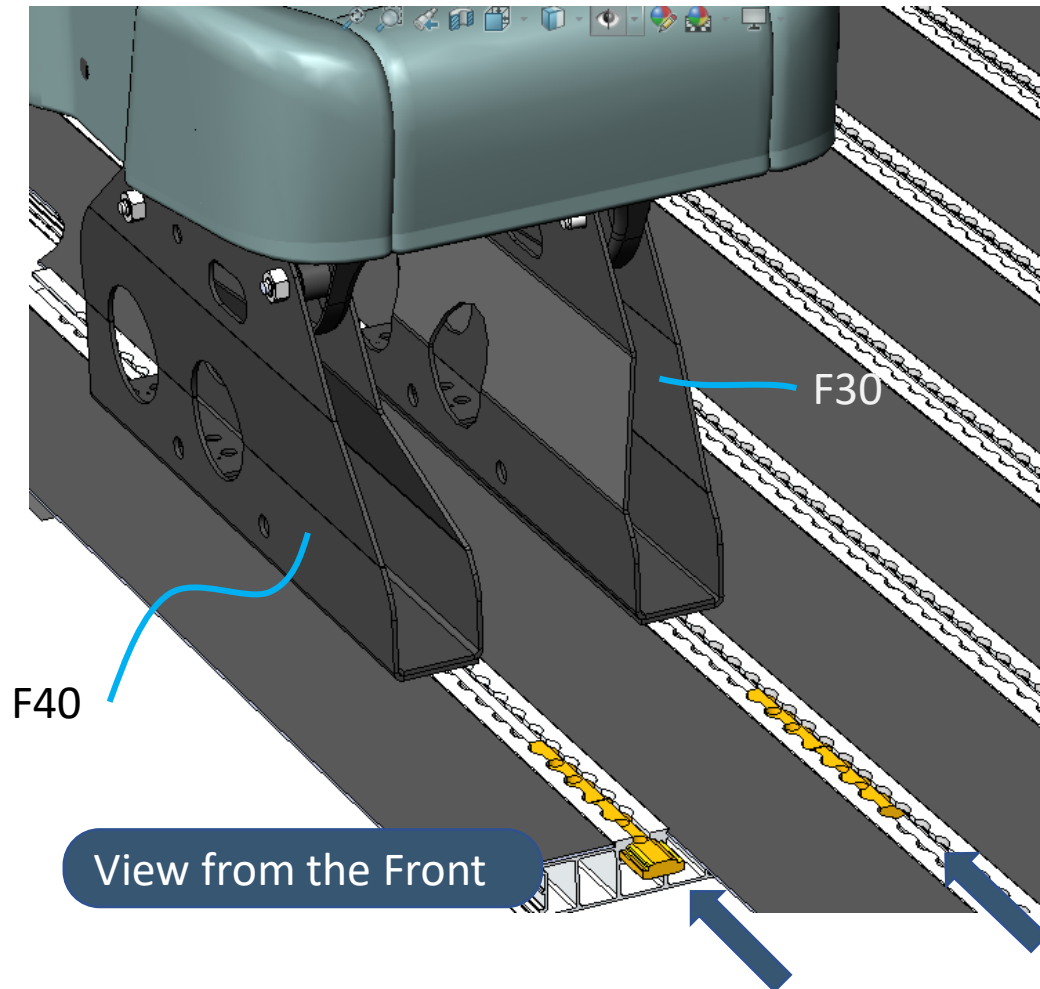


M12-1.75, 65mm, C 10.9
Zinc plated bolts
Qty 6

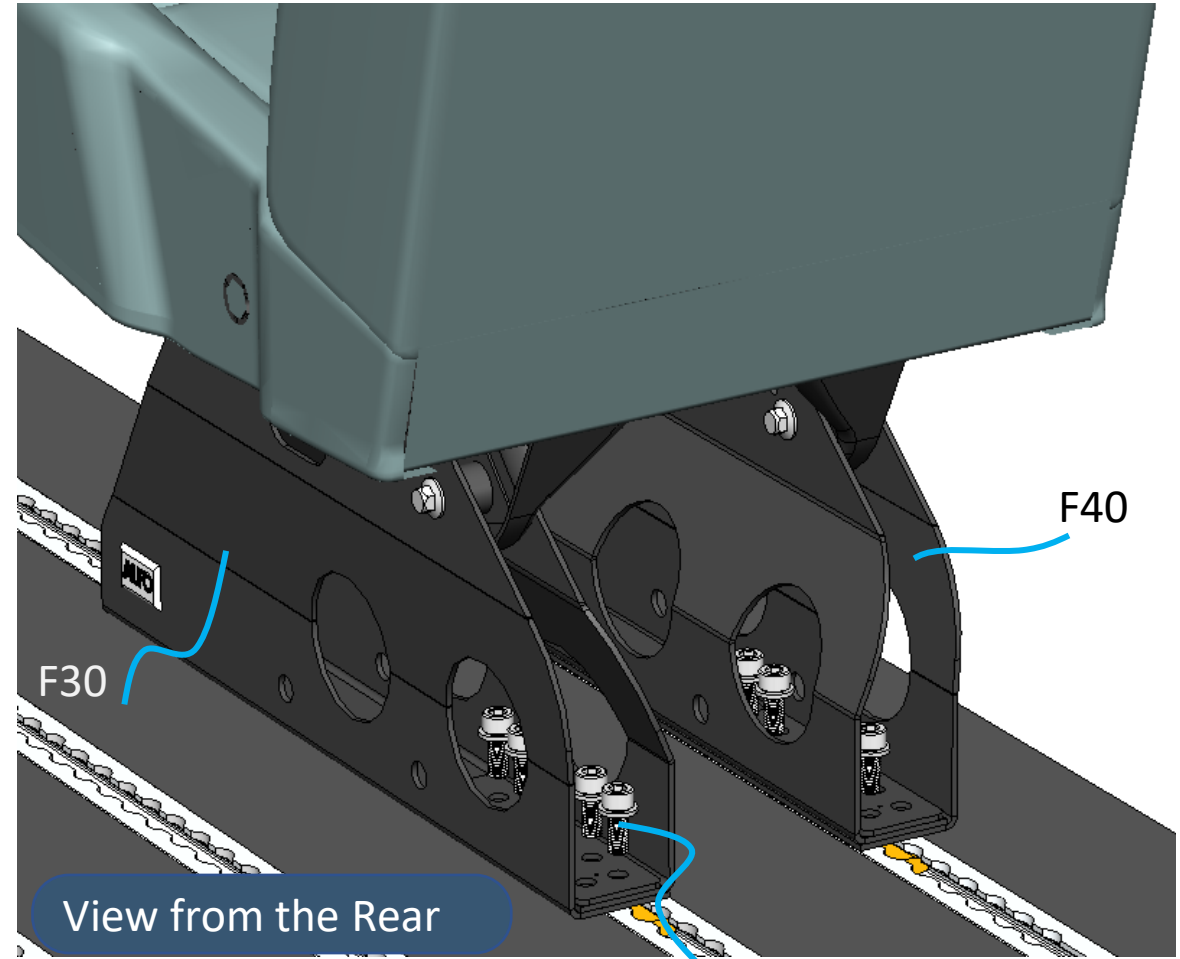
Torque Required: 55Nm

M12-1.75 nut
Qty 6

Step 3: Insert the manual foot and move them to the desired location of seat installation



Step 4: Attach the 4 Qty bolts with Washer per leg to the manual foot



M10-1.5,25mm C12.9 Zinc **Torque**
 M10 Flat washer **55Nm**
 Use inboard holes , Qty 4 per leg