

Pareto

Aluminum Systems



ALFOTM

Aluminum Flooring System

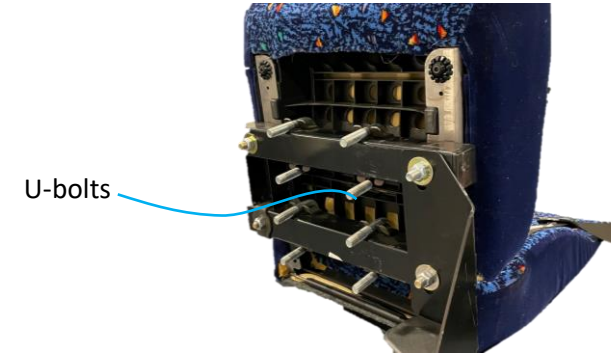
www.paretoas.com

Quick Release Installation
on GO-ES Seat


Step 1 Remove the freedman seat legs which came with the seat. Do not take off the U-bolts from the seat frame. All fasteners must be reused.

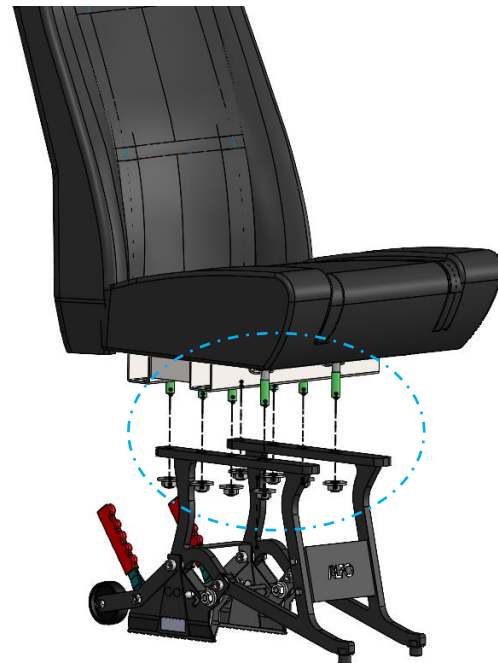


Single GO-ES seat

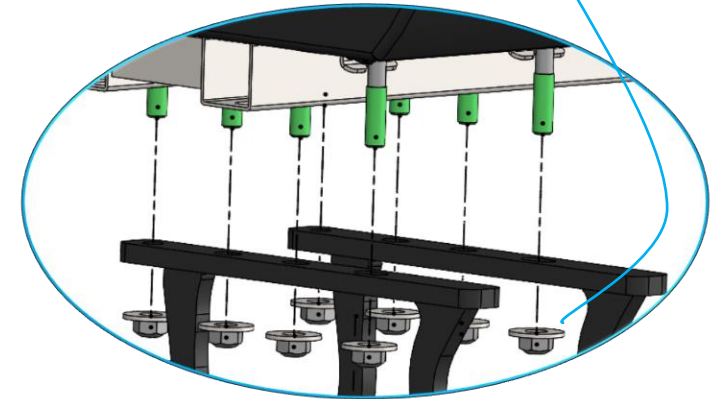


Step 2. Install quick release legs with 8 sets of nuts and washers as shown in the image.

 Ensure the U-bolts are torque to 55-60 nm

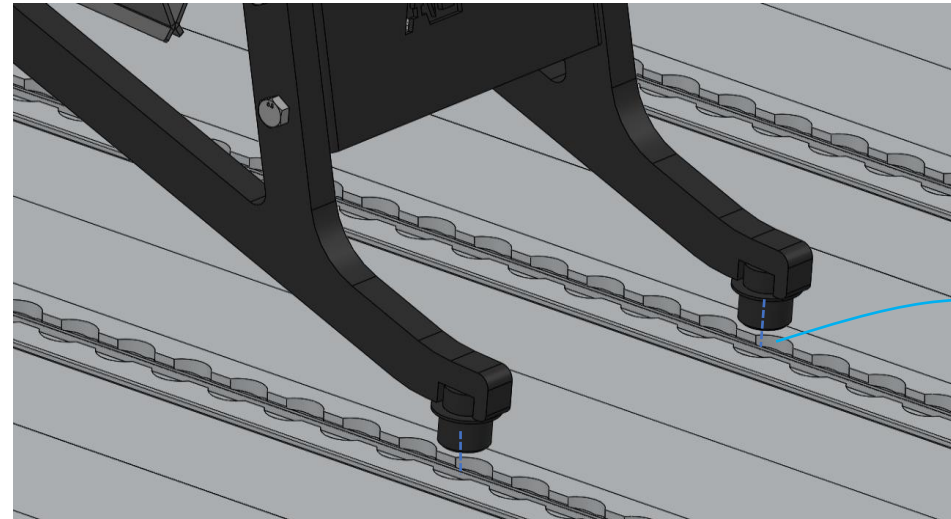


Reuse all fasteners Qty - #08 each



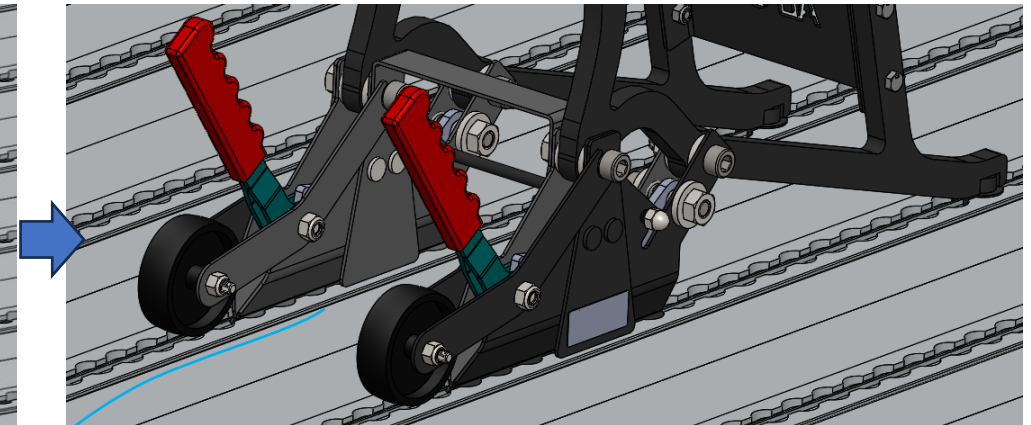
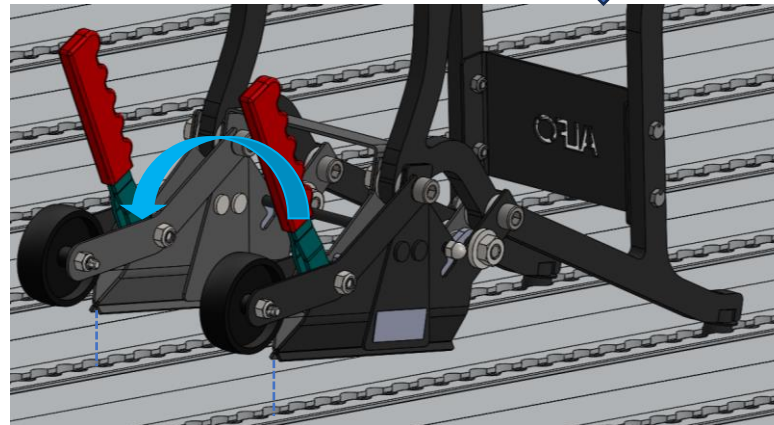
Step-3 insert the front pins of the seat leg into L track holes.

Ensure the red handles are pulled outward in unlock position



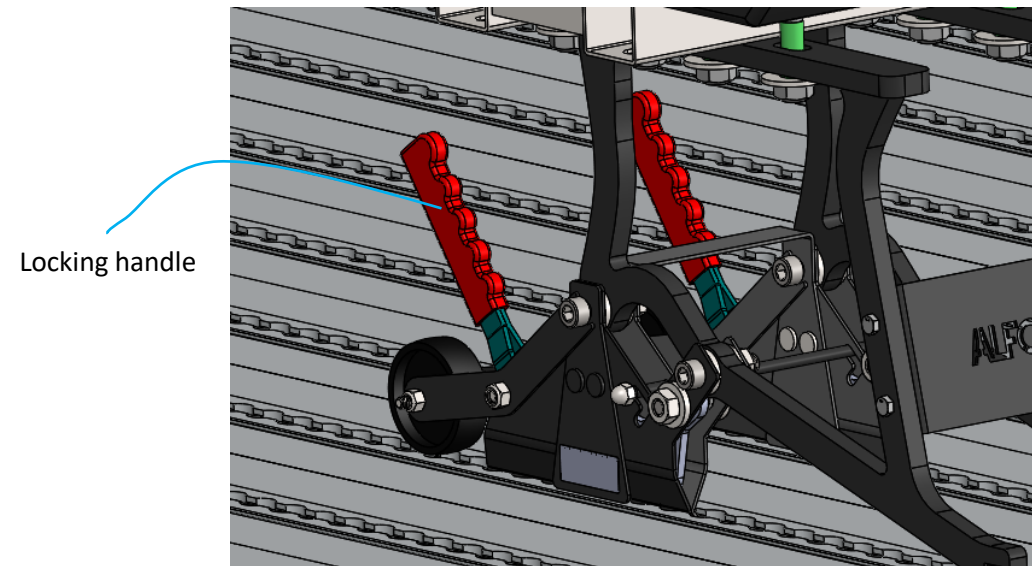
L track Holes

Step-4 Ensure that the rear end of the seat leg assembly drops inside the track.



Rear end of quick release

Step-5 lock the quick release leg by pushing the handle towards the front

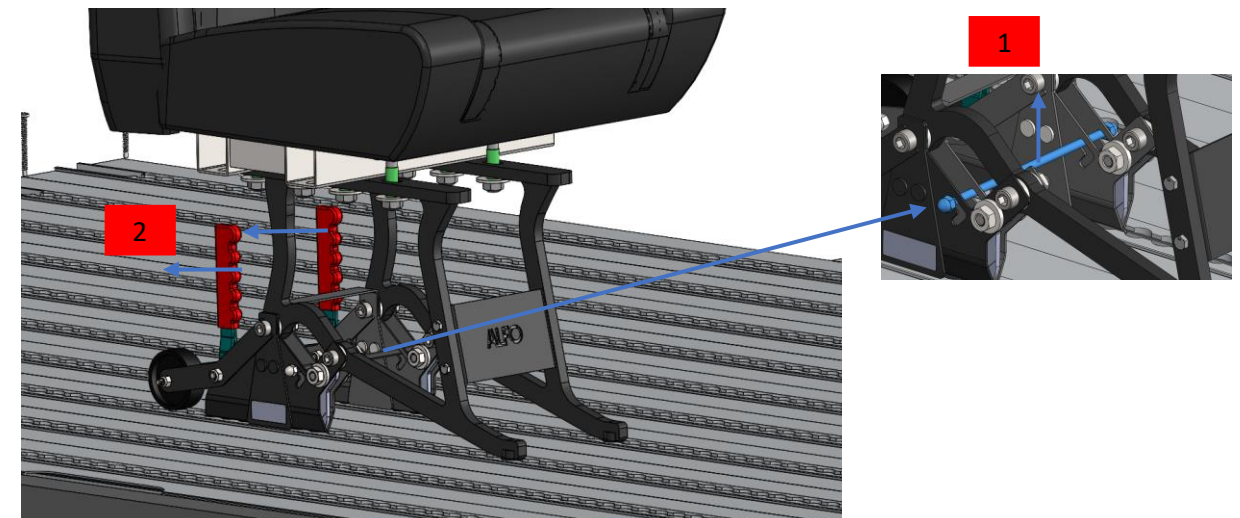


Locking handle

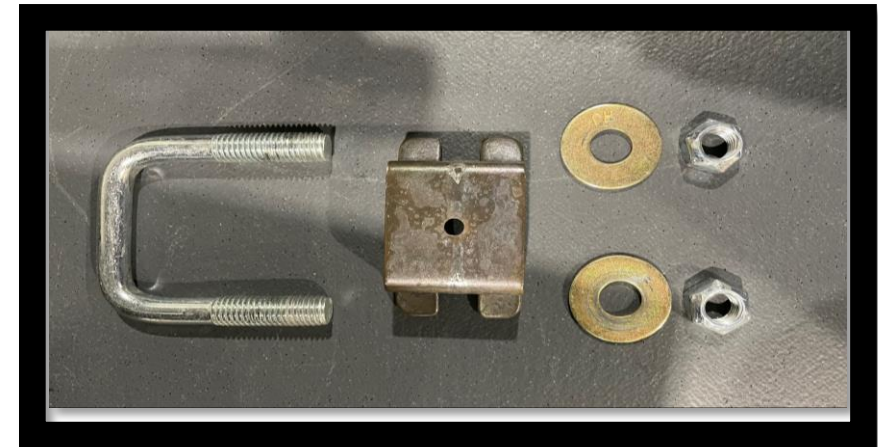
Step-6 If need to change the seat location

- 1) Need to pull the center rod upside.
- 2) Pull the lever assembly towards the rear (unlocking).

Repeat step-1 to 5 for relocating the seat.



To reduce time & cost, buy freedman seat without legs, but with shown fasteners.



X 4